

# AVM553J

ETS POLLO



HD 1080P



Push Video



Solid Light



WDR



PoE



Line in / out



Motorized Lens



EaZy Networking



External I/O



MicroSD Card Recording



Mobile Surveillance

## 2MP IR Bullet IP Camera

### FEATURES

- Equipped with a **motorized vari-focal lens of f2.8 ~ 12 mm**, focal length and focus adjustment could be made directly from NVR
- **Free P2P Cloud EaZy Networking**
  - Cloud **EaZy Networking** available to connect this device to Internet automatically in three steps with our free mobile app, EagleEyes.
  - The **Buddy** feature to share the device access permission to other people.
  - Device login / out notifications reported.
- **POE (Power-over-Ethernet)** support to eliminate the use of power cables and reduce installation costs
- **ONVIF (ONVIFS)** standard supported to simplify system integration
- **Line in / out** jacks available for audio transmission
- IR effective range **up to 35 meters** for night surveillance
- **WDR** to increase image recognizability in overexposure and dark areas
- **Solid Light** series featuring better overexposure prevention (Advanced Smart Light Control), automatic adjustment of image brightness, and longer lifetime of LEDs



- MicroSD card support (up to 64GB) for **video storage**
- **External alarm I/O device** connection
  - **Fully compatible** with **iOS** and **Android** devices, and **Internet Explorer** on Windows operating system
  - Free PC program, **CMS Lite**, for 32CH devices monitoring on Windows operating system
  - **Push Video** available on your iOS and Android devices





## ● SPECIFICATIONS

| ■ Network                  |  |
|----------------------------|--|
| LAN Port                   | YES  |
| LAN Speed                  | 10/100 Based-T Ethernet  |
| Supported Protocols        | DDNS, PPPoE, DHCP, NTP, SNTP, TCP/IP, ICMP, SMTP, FTP, HTTP, RTP, RTSP, RTCP, IPv4/IPv6, Bonjour, UPnP, DNS, UDP, IGMP, QoS, SNMP                                  |
| ONVIF Compatible           | YES (Profile S)  |
| Number of Online Users     | 10   |
| Security                   | (1) Multiple user access levels with password<br>(2) IP address filtering<br>(3) Digest authentication   |
| Remote Access              | (1) Internet Explorer on Windows operating system<br>(2) CMS Lite, 32CH CMS software for Windows operating system<br>(3) EagleEyes on iOS & Android mobile devices |
| ■ Video                    |  |
| Network Compression        | H.264 (Main Profile) / MJPEG   |
| Video Resolution           | 1920 x 1080 / 1280 x 720 / 720 x 480 / 352 x 240   |
| Frame Rate                 | 30fps  |
| Multiple Video Streaming   | 4 (H.264, MJPEG)   |
| ■ General                  |  |
| Image Sensor               | 1/2.8" SONY CMOS image sensor  |
| Min Illumination           | 0.1 Lux / F1.4(Wide)~F2.8(Tele), 0 Lux (IR LED ON)   |
| Shutter Speed              | 1/10,000 ~ 1/7.5 (Slow shutter)  |
| S/N Ratio                  | More than 48dB (AGC off)   |
| Lens                       | f2.8 ~ 12mm / F1.4 ~ F2.8  |
| Viewing Angle              | Wide: 103° (Horizontal) / 54° (Vertical) / 122° (Diagonal)<br>Tele: 31° (Horizontal) / 17° (Vertical) / 36° (Diagonal)   |
| IR LED                     | 2 units  |
| IR Effective Distance**    | Default : up to 25 meters<br>IR Enhanced Mode : up to 35 meters  |
| IR Shift                   | YES  |
| Smart Light Control        | YES  |
| White Balance              | ATW  |
| AGC                        | Auto   |
| IRIS Mode                  | AES  |
| WDR                        | YES  |
| POE                        | YES (IEEE 802.3af)   |
| External Alarm I/O         | YES (1 input / 1 output)   |
| RAM                        | 20MB   |
| MicroSD Card Slot          | YES (up to 64GB)   |
| IP Rating                  | IP66   |
| Startup Temperature        | 0°C ~ 40°C   |
| Operating Temperature      | -25°C ~ 50°C   |
| Operating Humidity         | 90% or less relative humidity  |
| Power Source (±10%)        | DC12V / 1A   |
| Current Consumption (±10%) | 315mA (LED off) / 500mA (LED on)   |
| Power Consumption (±10%)   | 8W (PoE); 8W (PoN) ; 7W (DC Adapter)   |
| Net Weight (kg)            | 1.4  |

\*The specifications are subject to change without notice.

\*\*By using IR enhanced mode and slow shutter speed, the distance can be extended even longer.

## ● SPECIFICATIONS (CONTINUED)

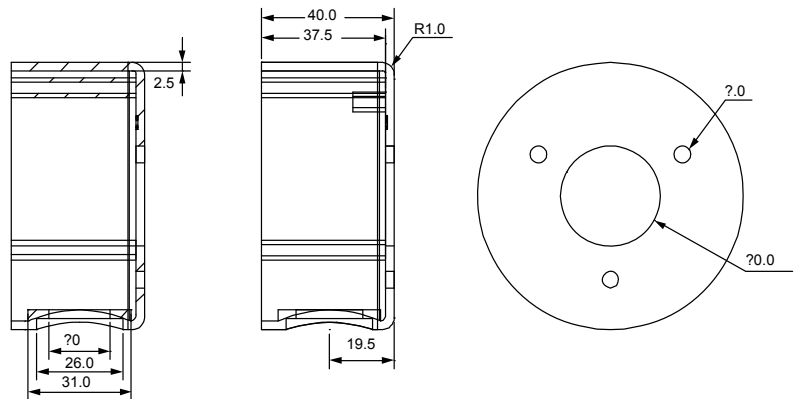
| ■ Audio                           |  |
|-----------------------------------|--|
| Line in                           | YES (Mono)   |
| Line out                          | YES (Mono)   |
| ■ Others                          |  |
| TV-Out                            | YES  |
| Mobile Surveillance               | iOS & Android mobile devices   |
| EaZy Networking                   | YES  |
| Event Notification                | <b>Push Video</b> / FTP / Email / SMS  |
| Digital Pan / Tilt / Zoom         | YES  |
| Motion Detection                  | YES  |
| RTC (real-time clock)             | YES  |
| Minimum Web Browsing Requirements | <ul style="list-style-type: none"> <li>• Intel core i3 or higher, or equivalent AMD</li> <li>• 2GB RAM</li> <li>• AGP graphics card, Direct Draw, 32MB RAM</li> <li>• Windows 10, Windows 8, Windows 7, Windows Vista &amp; Windows XP, DirectX 9.0 or later</li> <li>• Internet Explorer 7.x or later (Windows Edge not supported)</li> </ul> |

\*The specifications are subject to change without notice.

## ● OPTIONAL PERIPHERALS

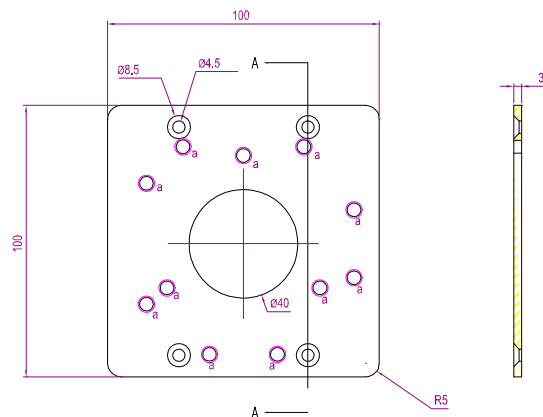
### ■ AVM552C-BBKT

Used as a bracket to mount the camera on the ceiling and collect the cables.



### ■ BULLETCON1

Used as a connector to install a junction box for further applications.



Dimensional tolerance: ± 5mm



## ● DIMENSIONS

