



AVZ592



HD 1080P



PTZ



PoE



WDR



Audio



20X Optical Zoom



MicroSD Card Recording



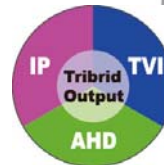
Auto Tracking



External I/O



Mobile Surveillance



Tribrid 2MP 20X Speed Dome Camera

FEATURES

- Tribrid video output of **IP**, **TVI** and **AHD** to fulfill different customers' requirements
- Zoom lens of f4.7 ~ 94mm with **20x optical zoom and auto focus**, suitable for various monitoring environments
- **PTZ control** for seamless monitoring:
 - Capable of **360° pan rotation continuously** with the **tilt movement of -6° ~ 90°**, allowing quick and smooth action of the camera lens
 - **Auto Tracking** to follow moving objects
 - **Hot Point** support to quickly move the camera to the specified point remotely
 - Up to **256 preset points & four sequence groups** programmable for multiple points monitoring, and **auto pan**
- **External alarm I/O device** connection



- **ONVIF** (**ONVIFS**) standard supported to simplify system integration
- **POE (Power-over-Ethernet)** support

to eliminate the use of power cables and reduce installation costs

- MicroSD card support (up to 64GB) for **video storage**
- **WDR** to increase image recognizability in overexposure and dark areas
- **Line in / out** jacks available for audio transmission
- IR effective range up to **200 meters** or more when the **IR Turbo** mode is on
- **IP66** for outdoor application
- **Remote Surveillance**
 - **Fully compatible** with **iOS** and **Android** devices, and **Internet Explorer** on Windows operating system
 - Free PC program, **CMS Lite**, for 32CH devices monitoring on Windows operating system
 - **Push Video** available on your iOS and Android devices when used with Push Video NVR series.



○ SPECIFICATIONS

■ Network

LAN Port	YES
LAN Speed	10/100 Based-T Ethernet
Data Transmission Speed	10/100/1000 Based-T
Supported Protocols	DDNS, PPPoE, DHCP, NTP, SNTP, TCP/IP, ICMP, SMTP, FTP, HTTP, RTP, RTSP, RTCP, IPv4, Bonjour, UPnP, DNS, UDP, IGMP, QoS, IEEE802.1X, SNMP
ONVIF Compatible	YES (Profile S)
Number of Online Users	10
Security	(1) Multiple user access levels with password (2) IP address filtering (3) Digest authentication
Remote Access	(1) Internet Explorer on Windows operating system (2) CMS Lite, 32CH CMS software for Windows operating system (3) EagleEyes on iOS & Android mobile devices

■ Video

Video Output	IP, TVI*, AHD* and CVBS
Compression Format	H.264 (Main Profile) / MJPEG
Video Resolution	1920 x 1080 / 1280 x 720 / 720 x 480 / 352 x 240
Frame Rate	30 fps
Multiple Video Streaming	4 (H.264, MJPEG)
Bitrate Control	SVBR control (VBR + Max bitrate)

■ General

Image Sensor	1/2.8" Sony CMOS image sensor
Min Illumination	0.1 Lux / F1.6(Wide)~F3.5(Tele), 0 Lux (IR LED ON)
Shutter Speed	1 / 60 (1/50) to 1 / 100,000 sec.
S/N Ratio	More than 48dB (AGC off)
Lens	f4.7 ~ 94mm / F1.6 (Wide) ~ 3.5(Tele), auto focus
Viewing Angle	1X: 60.8° (Horizontal) / 35.3° (Vertical) / 68.3° (Diagonal) 20X: 3.4° (Horizontal) / 1.9° (Vertical) / 3.8° (Diagonal)
IR LED	8units
IR Effective Distance	Default: Up to 200 meters / IR Turbo mode: More than 200 meters
IR Shift	YES
Smart Light Control	YES
White Balance	Auto / 2500K / 3200K / 4200K / 5800K / 9500K
AGC	YES
IRIS Mode	YES
Sharpness	YES
WDR	YES
PoE**	YES
External Alarm I/O	YES (1 input / 1 output)
RAM	20MB
MicroSD Card Slot	YES (up to 64GB)
RS-485	YES
IP Rating (weather-proof)	IP66
Operating Temperature	-25°C ~ 50°C
Operating Humidity	90% or less relative humidity
Power Source (±10%)	AC 24V / DC19V
Current consumption (±10%)	DC19V / 1.3A
Power Consumption (±10%)	PoE / PoN: 31.3W; DC Adapter: 25W
Net Weight (kg)	6.9

* TVI and AHD output: 1.0 Vp-p composite, 75Ω * When PoE is used for power supply, the IR Turbo mode might not work properly.
 ***The specifications are subject to change without notice.



● SPECIFICATIONS (CONTINUED)

■ Audio

Line in	YES (Mono)
Line out	YES (Mono)

■ PTZ Mechanism

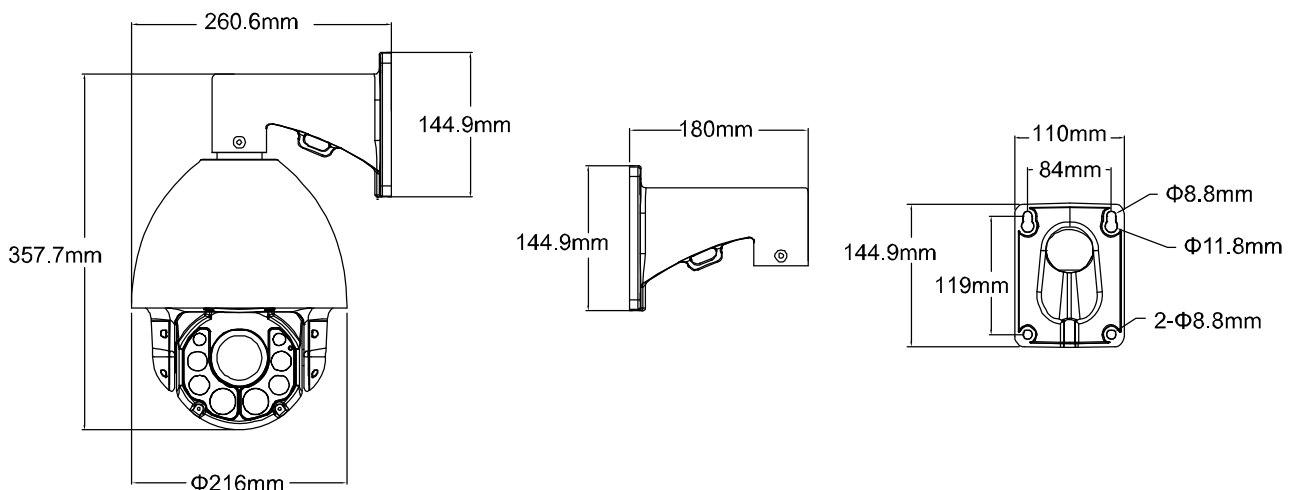
Pan Range	360° continuous rotation
Max. Pan Speed	90°/s
Tilt Range	-6° ~ 90°
Max. Tilt Speed	70°/s
Zoom Ratio	20X Optical Zoom / 16X Digital Zoom
Max. Zoom Speed	Approx. 3s (Tele ~ Wide)
Preset Points	Up to 256 preset points
Sequence Group	1. Up to four groups can be set 2. One group can include up to 16 preset points
Auto Tracking	YES

■ Others

Mobile Surveillance	iOS & Android
Event Notification	FTP / Email / SMS
Digital Pan / Tilt / Zoom	YES
Reset Default	YES
Motion Detection	YES
RTC (real-time clock)	YES
Minimum Web Browsing Requirements	<ul style="list-style-type: none"> • Intel core i3 or higher, or equivalent AMD • 2GB RAM • AGP graphics card, Direct Draw, 32MB RAM • Windows 10, Windows 8, Windows 7, Windows Vista & Windows XP, DirectX 9.0 or later • Internet Explorer 7.x or later (Windows Edge not supported)
Optional Peripherals	USB Joystick (AVX102)

* TVI and AHD output: 1.0 Vp-p composite, 75Ω * When PoE is used for power supply, the IR Turbo mode might not work properly.
 ***The specifications are subject to change without notice.

● DIMENSIONS*



*Dimensional Tolerance: ± 5mm